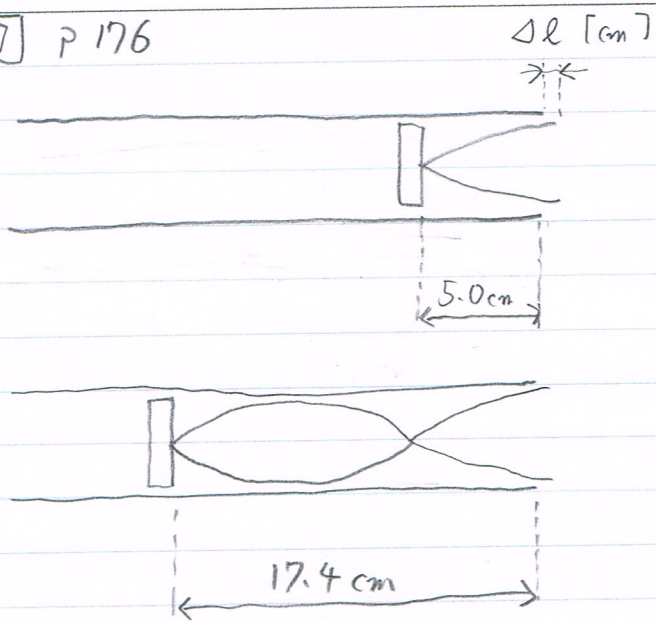


類7 p 176



$$(1) \lambda = (17.4 - 5.0) \times 2$$

$$= 24.8$$

$$\therefore \lambda = 24.8 \text{ [cm]}$$

$$(2) \frac{1}{4}\lambda = \frac{1}{4} \times 24.8 = 6.2 \text{ [cm]}$$

$$\frac{1}{4}\lambda = \Delta l + 5.0 \text{ (寸)}$$

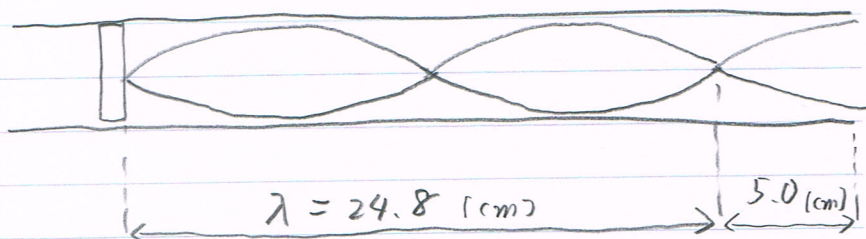
$$\Delta l = \frac{1}{4}\lambda - 5.0$$

$$= 6.2 - 5.0$$

$$= 1.2$$

$$\therefore \Delta l = 1.2 \text{ [cm]}$$

(3)



$$24.8 + 5.0 = 29.8 \text{ [cm]}$$

$$\therefore 29.8 \text{ [cm]}$$